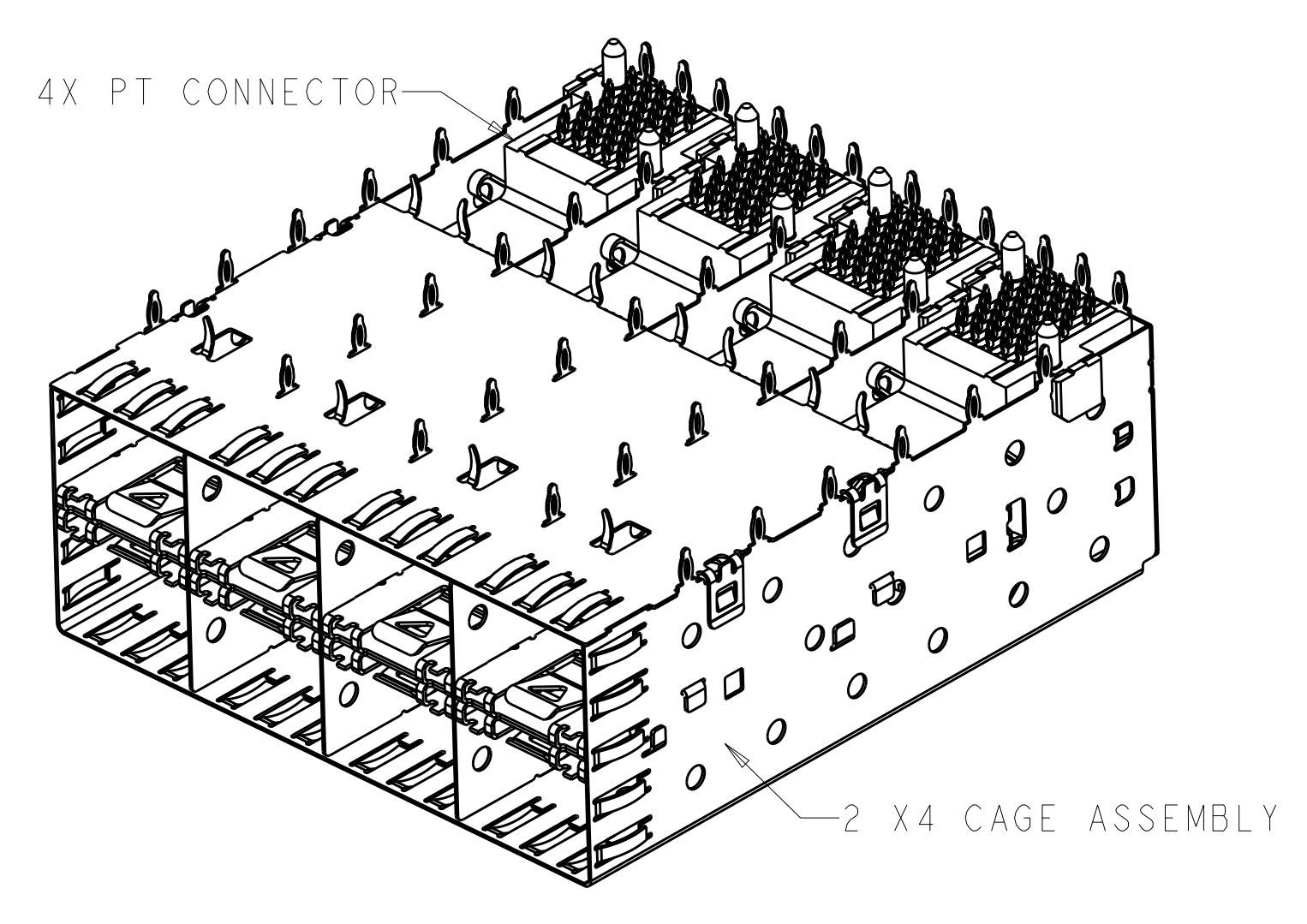
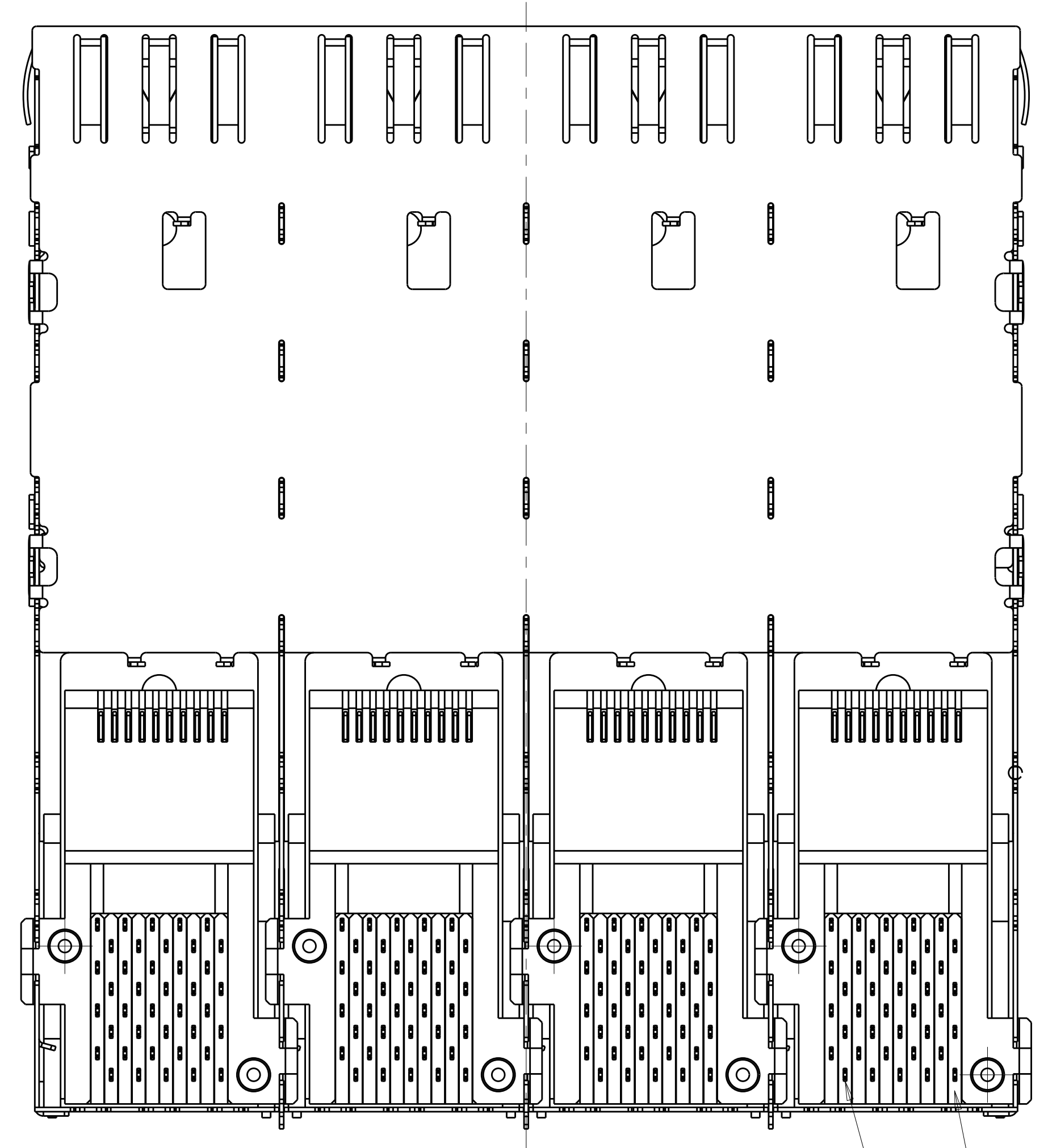
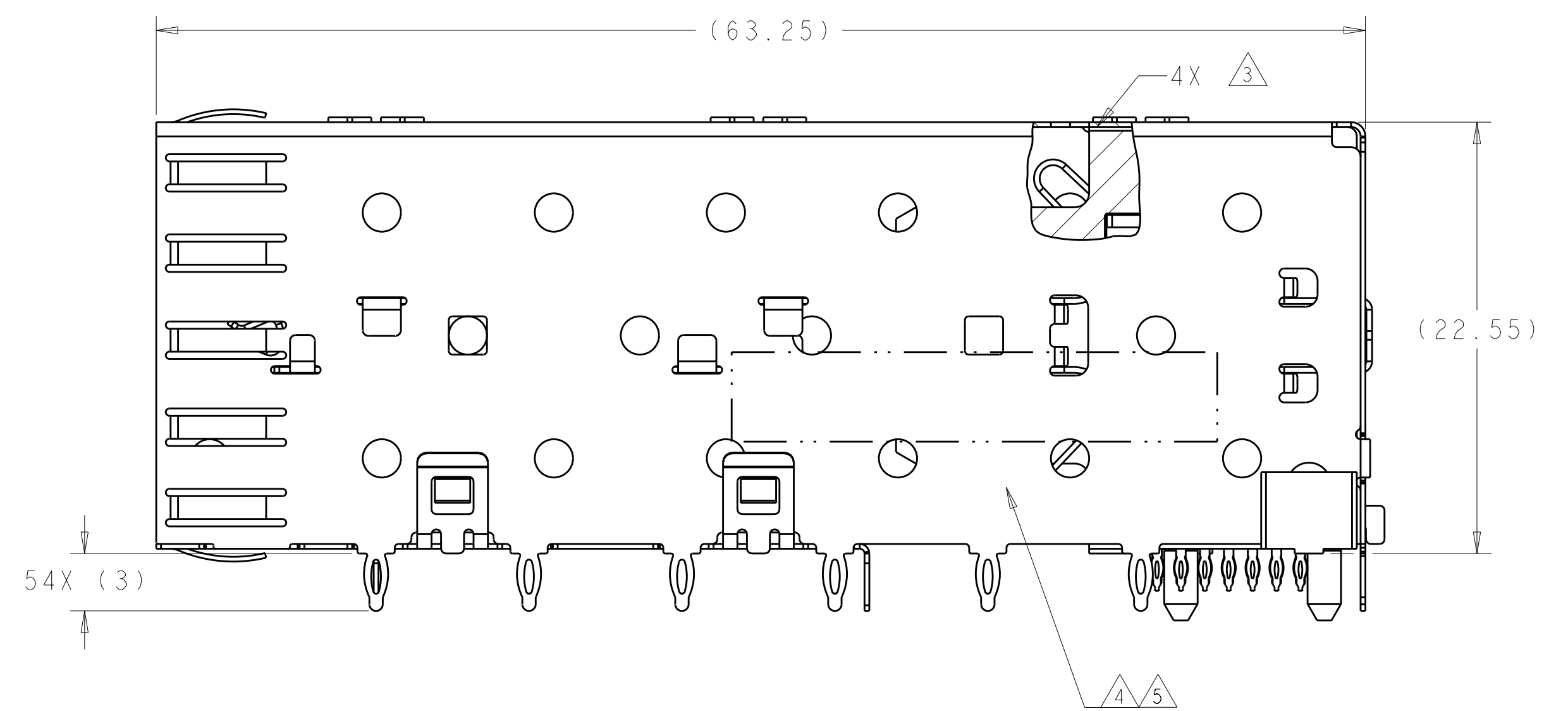
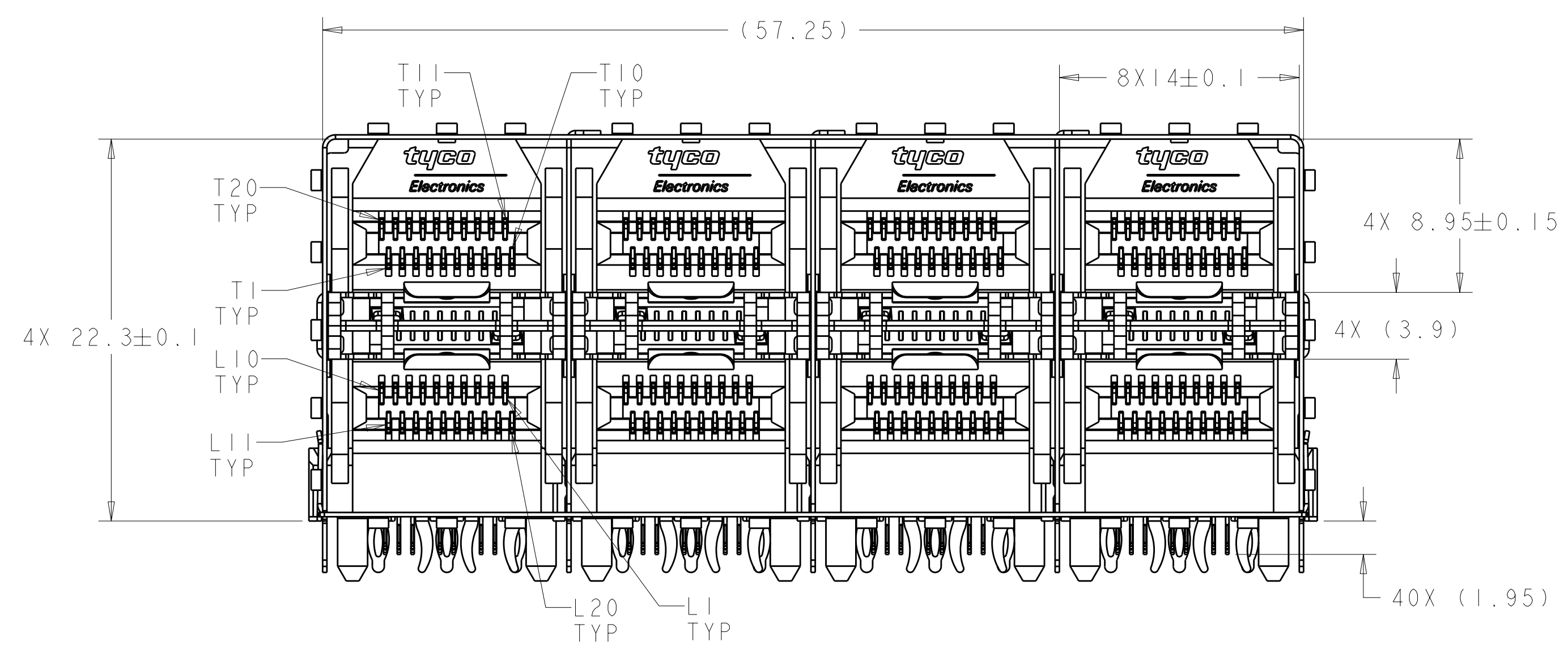


LOC	DIST	REVISIONS			
ES	00	REV	DATE	BY	APPD
		A	23JAN04	JG	JK
		B	17APR06	BM	EB
		C	20DEC2007	SL	SY
		C1	02JUN08	AZ	SY



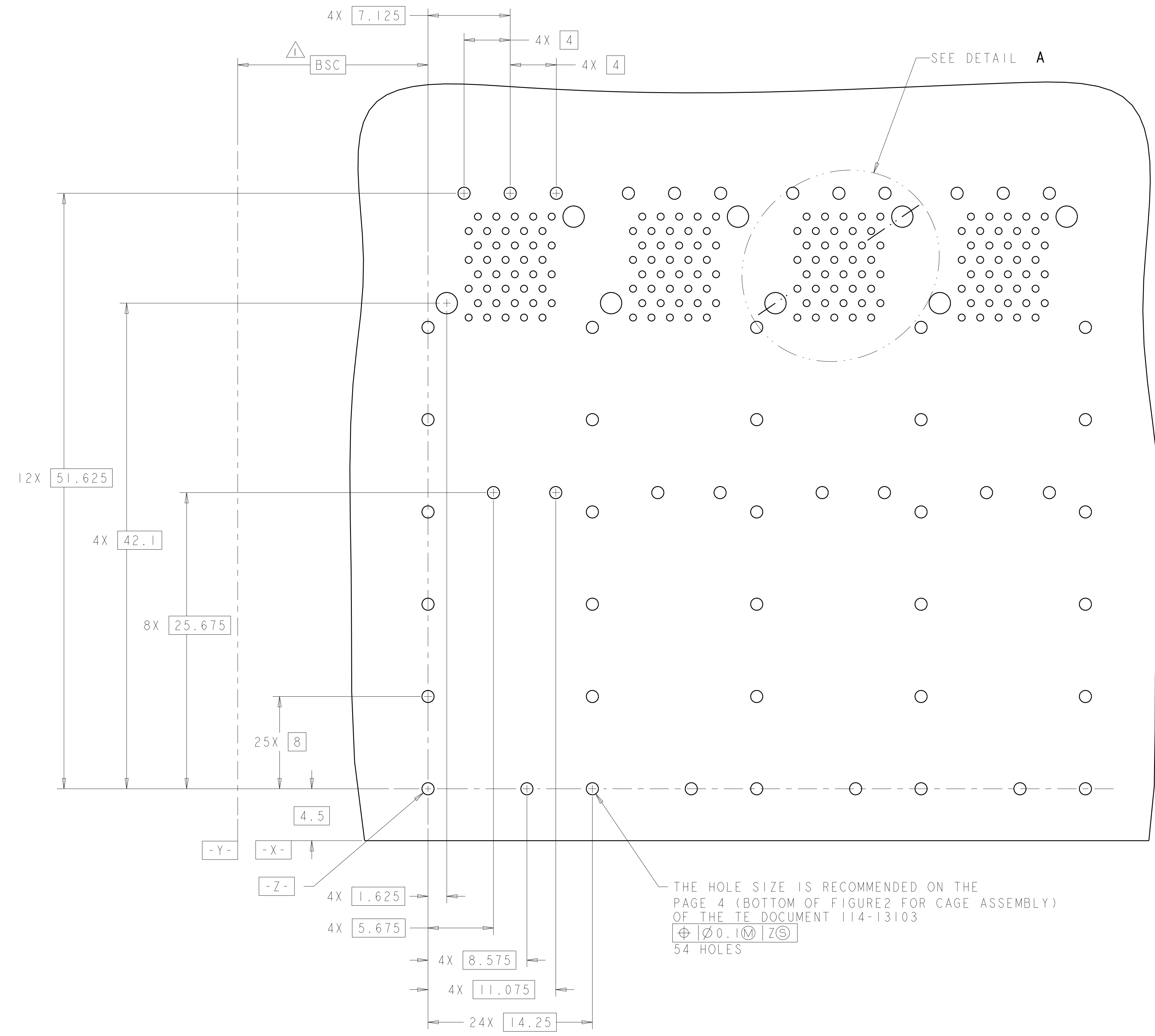
1658629-1
SCALE 2:1

- 1 DATUM AND BASIC DIMENSION TO BE DETERMINED BY CUSTOMER.
- 2 INTERPRETATION OF DATUM REFERENCE FRAME IN ACCORDANCE WITH SECT 4.4.1.1 OF ASME Y14.5M-1994.
- 3 TOP OF PT CONNECTOR TO BE 0-0.15 FROM INSIDE SURFACE OF CAGE.
- 4 COPPER ALLOY.
- 5 1.25µM MIN TIN PER ASTM B 545 OVER NICKEL FLASH PER QQ-N-290. NON-PLATED EDGES PERMISSIBLE.
- 6 LCP, HIGH TEMPERATURE, UL 94V-0 RATED, BLACK.
- 7 POLYESTER, UL 94V-0 RATED, BLACK.
- 8 CONTACT MATING AREA: SURFACE TREATMENT OVER 0.76µM MIN GOLD PER ASTM B 488 OVER 1.27µM MIN NICKEL PER QQ-N-290. NEEDLE EYE: 1.25µM MIN TIN PER ASTM B 545 OVER 1.27µM MIN NICKEL PER QQ-N-290. REMAINDER OF CONTACT: 0.76µM MIN NICKEL PER QQ-N-290.

1658629-1
PART NUMBER

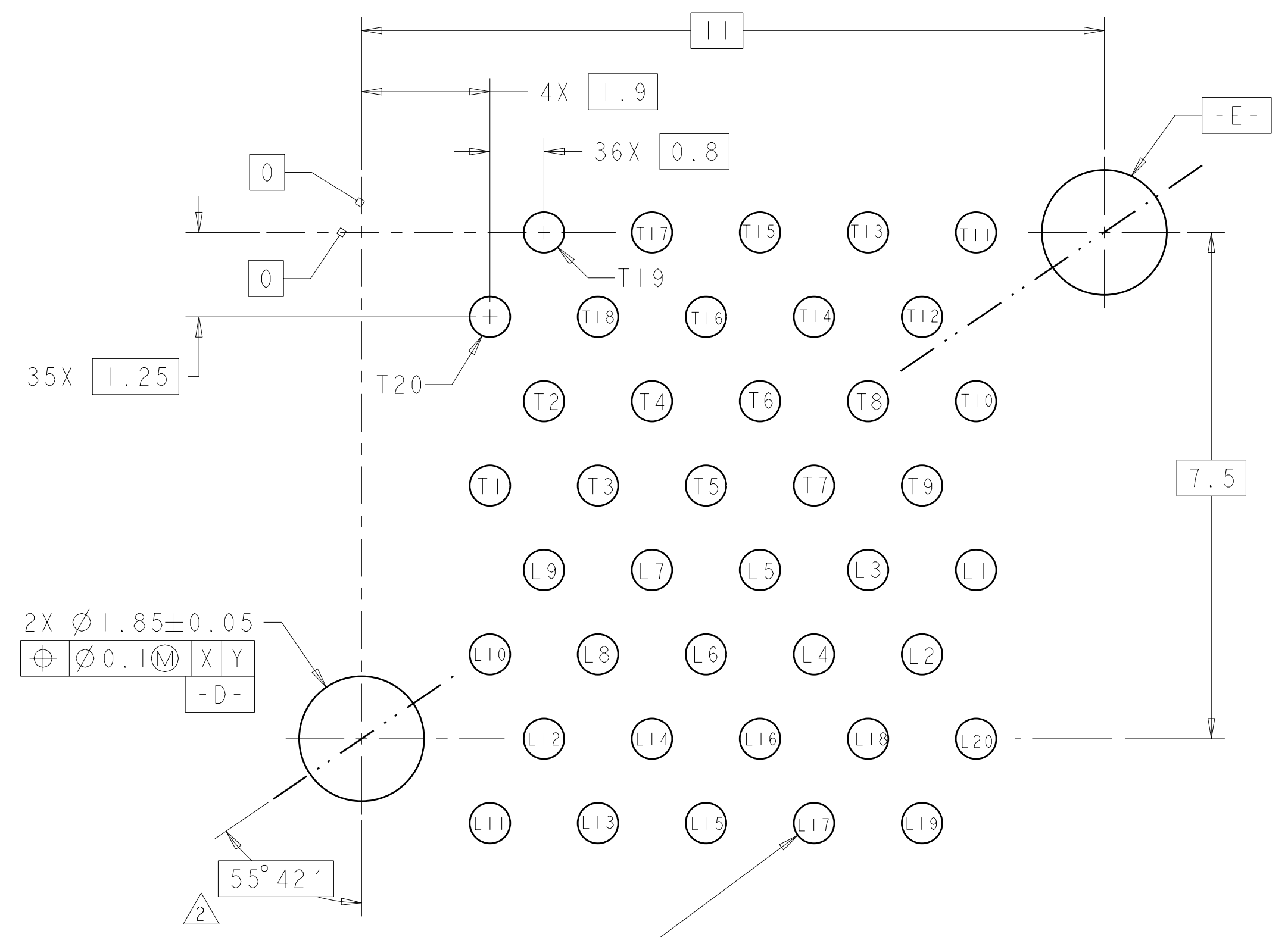
<small>THIS DRAWING IS UNPUBLISHED. RELEASED FOR PUBLICATION BY TYCO ELECTRONICS CORPORATION. ALL RIGHTS RESERVED.</small>		DWN: R. HENRY CHK: J. KOPPENHEFFER APVD: M. WALMSLEY	17APR03 23JAN04 23JAN04	Tyco Electronics Shanghai, China
DIMENSIONS: mm	TOLERANCES UNLESS OTHERWISE SPECIFIED: 9 PLC ± 1 PLC ±0.1 5 PLC ± 4 PLC ± ANGLES ±	PRODUCT SPEC: 108-2161 APPLICATION SPEC: 114-13103	NAME: CAGE AND PT CONNECTOR ASSEMBLY, 2x4, PRESS FIT, LOW PROFILE, SFP	SIZE: A1 CAGE CODE: 00779 DRAWING NO: C-1658629
MATERIAL:	FINISH:	WEIGHT:	CUSTOMER DRAWING	SCALE: 4:1 SHEET: 1 OF 3 REV: C1

LOC	DIST	REV	DATE	BY	APPD
ES	00				
		REVISIONS			
		DESCRIPTION	DATE	BY	APPD
		SEE SHEET 1			



THE HOLE SIZE IS RECOMMENDED ON THE
 PAGE 4 (BOTTOM OF FIGURE2 FOR CAGE ASSEMBLY)
 OF THE TE DOCUMENT 114-13103
 $\varnothing 0.10 \text{ (M)} | Z(S)$
 54 HOLES

RECOMMENDED PCB CONFIGURATION
 SCALE 5:1

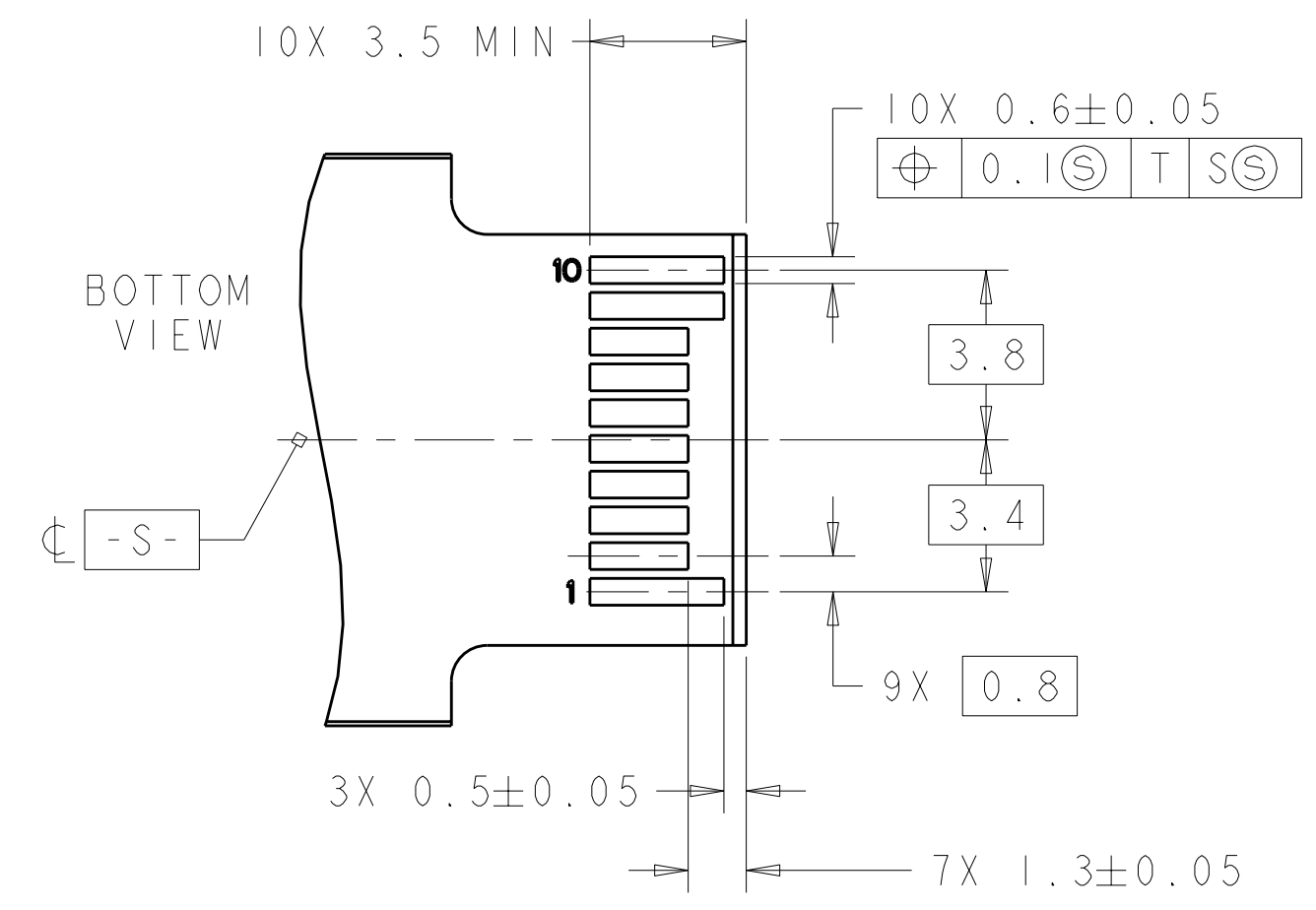
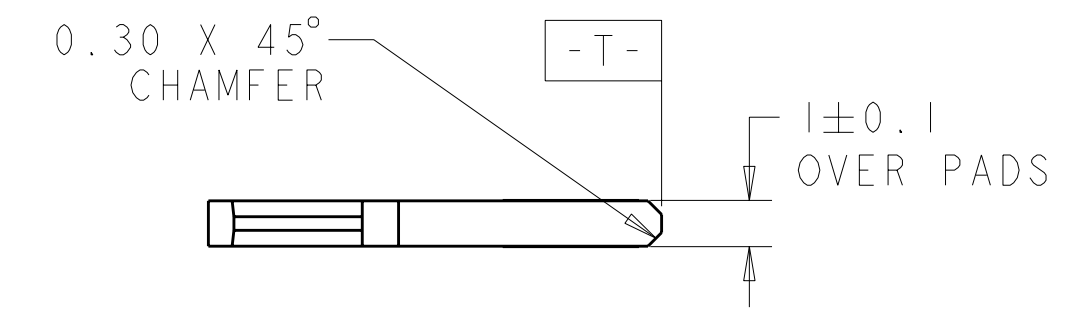
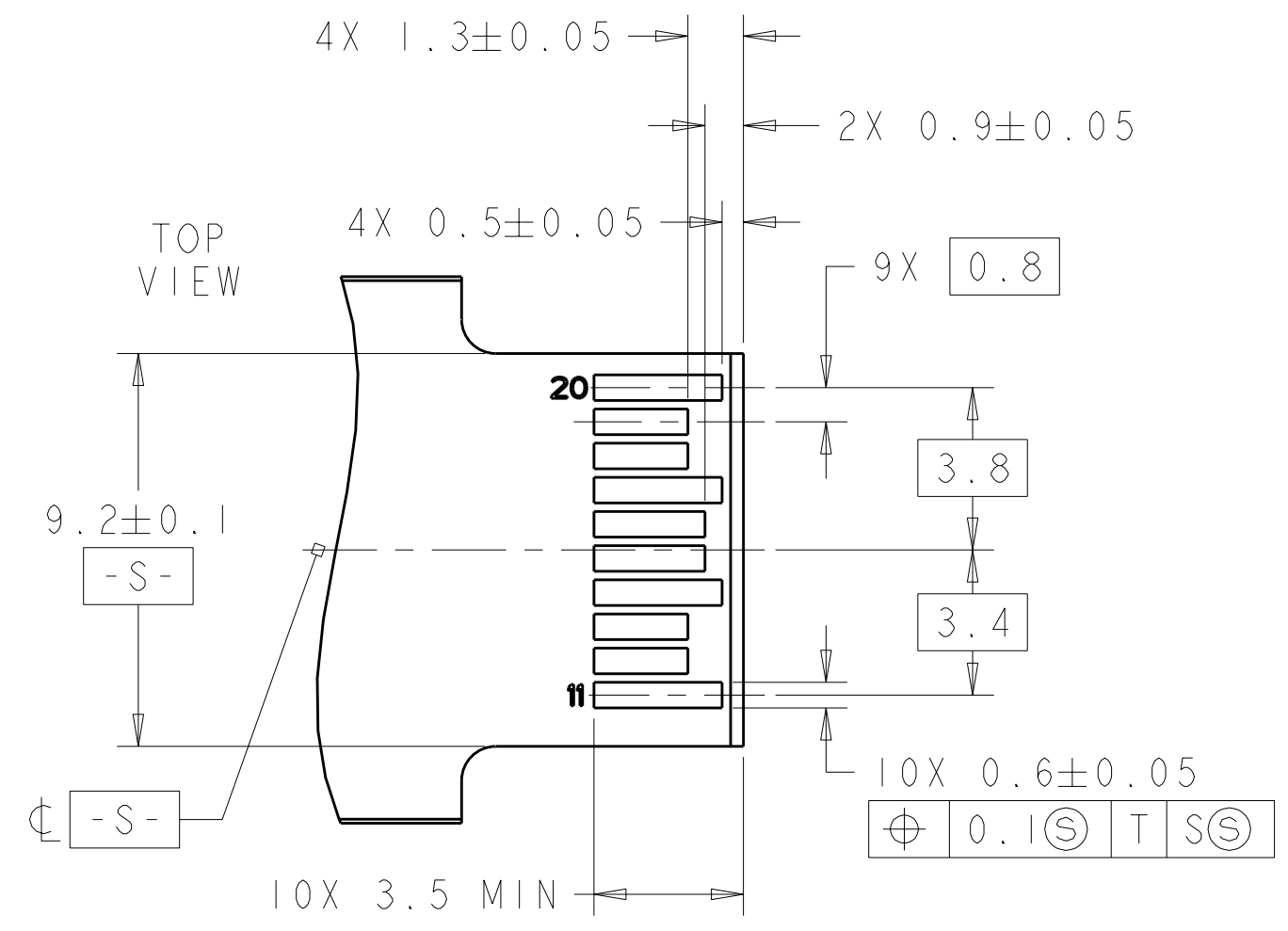


THE HOLE SIZE IS RECOMMENDED ON THE
 PAGE 4 (TOP OF FIGURE2 FOR CONNECTOR)
 OF THE TE DOCUMENT 114-13103
 $\varnothing 0.08 \text{ (M)} | D(S) | E(S)$
 40X4 HOLES

DETAIL A
 SCALE 15:1

<small>THIS DRAWING IS UNPUBLISHED. RELEASED FOR PUBLICATION BY TYCO ELECTRONICS CORPORATION. ALL RIGHTS RESERVED.</small>		DWN R. HENRY 17APR03 CHK J. KOPPENHEFFER 23JAN04 APVD M. WALMSLEY 23JAN04	Tyco Electronics Shanghai, China
DIMENSIONS: mm TOLERANCES UNLESS OTHERWISE SPECIFIED: 9 PLC ± 1 PLC ±0.1 5 PLC ± 4 PLC ± ANGLES ± FINISH ±		NAME: CAGE AND PT CONNECTOR ASSEMBLY, 2x4, PRESS FIT, LOW PROFILE, SFP PRODUCT SPEC: 108-2161 APPLICATION SPEC: 114-13103 WEIGHT: - CUSTOMER DRAWING	SIZE: A1 CAGE CODE: 00779 DRAWING NO: C=1658629 RESTRICTED TO: - SCALE: 4:1 SHEET 2 OF 3 REV: C1

LOC	DIST	REVISIONS			
ES	00	REV	DATE	BY	APPD
-	-	SEE SHEET 1	-	-	-



RECOMMENDED LAYOUT FOR
 MATING TRANSCEIVER PCB
 SCALE 6:1

<small>THIS DRAWING IS UNPUBLISHED. RELEASED FOR PUBLICATION BY TYCO ELECTRONICS CORPORATION. IT IS SUBJECT TO CHANGE WITHOUT NOTICE AND WITHOUT OBLIGATION. SHOULD BE CONTACTED FOR THE LATEST REVISION.</small>		DWN: R. HENRY 17AP03 CHK: J. KOPPENHEFFER 23JAN04 APVD: M. WALMSLEY 23JAN04	Tyco Electronics Shanghai, China
DIMENSIONS: mm 	TOLERANCES UNLESS OTHERWISE SPECIFIED: 9 PLC ± 8 PLC ±0.1 5 PLC ± 4 PLC ± ANGLES ±	NAME: CAGE AND PT CONNECTOR ASSEMBLY, 2x4, PRESS FIT, LOW PROFILE, SFP PRODUCT SPEC: 108-2161 APPLICATION SPEC: 114-13103 WEIGHT: - FINISH: -	SIZE: A CAGE CODE: 00779 DRAWING NO: C-1658629 RESTRICTED TO: -
MATERIAL: -		CUSTOMER DRAWING	
		SCALE: 1:1	SHEET 3 OF 3 REV: C